

android
**POS
SYSTEM**

PTA0140



TABLE OF CONTENTS

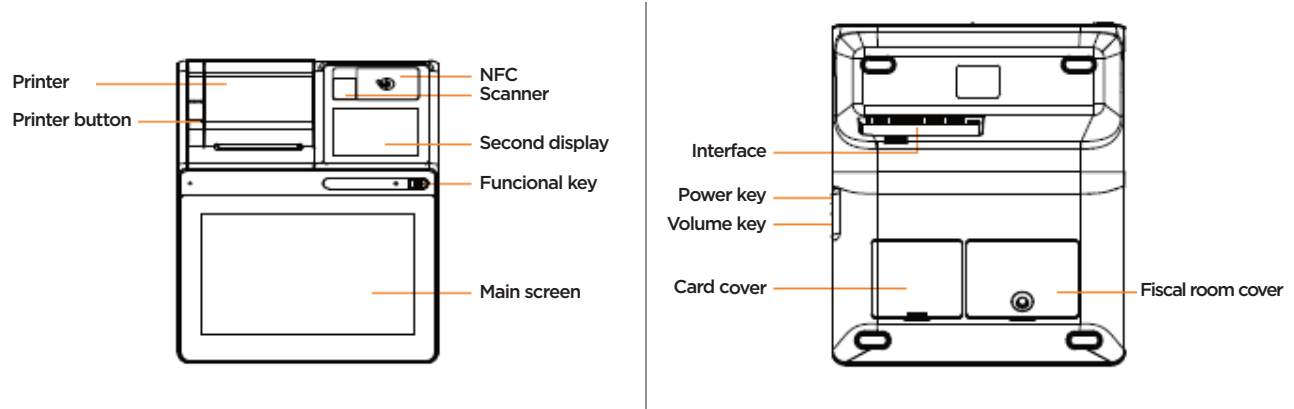
• Product Description	4
• Product SIM Installations	6
• Printing Instructions	7
• Product Operations Guide	8



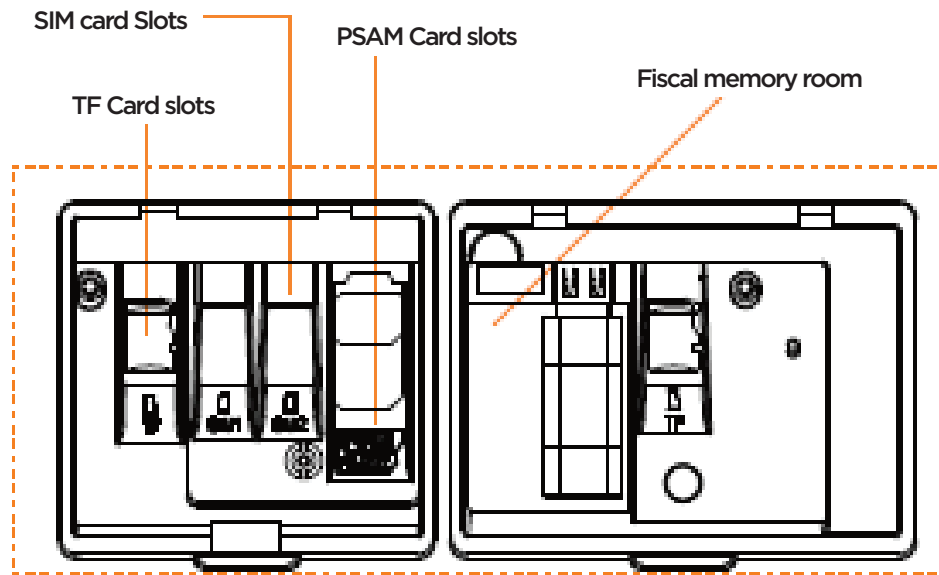
DISCLAIMER

To ensure the safe and correct use of this product, prevent danger, and avoid damage, please read this manual carefully before using the device and strictly follow the instructions. Check the equipment for any abnormalities before powering it on and using it. Keep this manual properly after reading for future guidance.

Product Description:



FEATURE	DESCRIPTION
Printer	Integrated device for printing receipts and documents.
Printer Button	Button to initiate or stop printing operations.
NFC	Allows the device to communicate wirelessly with other NFC-enabled devices for quick and secure transactions or data exchange.
Scanner	Used for scanning barcodes, taking pictures, or other imaging needs for 1D/2D
Functional Key	Customizable button for specific tasks or shortcuts.
Main Screen	Primary touchscreen interface for user interaction and navigation.
Interface	Ports and connectors for external devices and peripherals.
Power Key	The button used to turn the device on or off.
Volume Key	The button used to turn the device on or off. Buttons to adjust the audio volume of the device.
Card Cover	Protective cover for card slots.
Fiscal Room Cover	Cover for the fiscal memory compartment, used for secure financial data storage.
Second Display	Additional screen for customer interaction and information display.



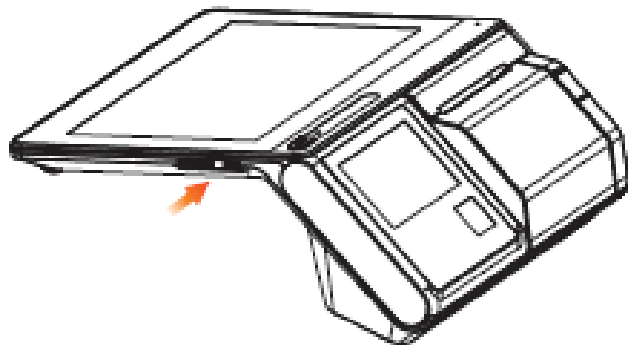
FEATURE	DESCRIPTION
<p>Power Key</p>	<p>Short press: wake up the screen, lock the screen. Long press: long press for 2-3 second in power off mode to switch on the device. Long press for 2-3 seconds in normal operation mode to select power off or reboot.</p>
<p>SIM Card Slots PSAM Card Slots</p>	<p>Holds the SIM cards necessary for mobile network connectivity, enabling the device to access cellular services</p> <p>Note: To prevent system error, please make sure the device is turned off when you insert or remove the SIM cards.</p>
<p>TF Card Slots</p>	<p>Accommodates PSAM cards for secure authentication and encryption in payment and security applications and device adding additional storage space.</p> <p>Note: To prevent system error, please make sure the device is turned off when you insert or remove the TF card.</p>
<p>Environmental / Material</p>	<p>Operating Temperature: -5c – 45 Storage Temperature: -5c – 60c 1.2 M Anti-Drop</p>
<p>Fiscal Memory Room</p>	<p>Designated space for installing fiscal memory hardware, used for storing financial and transactional data securely</p>

Product SIM Installations:

This section provides detailed instructions for powering on the device and installing SIM, PSAM, and TF cards. Follow these steps carefully to ensure proper setup and optimal performance of your device.

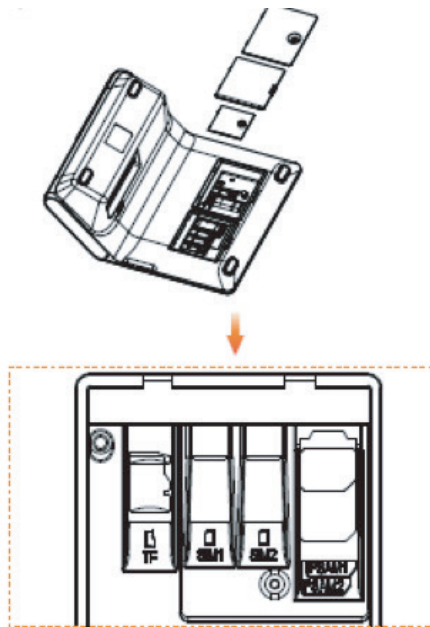
Power On

Long press the power key for about 3 seconds.



SIM Card, PSAM Card, & TF Card Installation

1. Take out the battery cover, and the card sockets will be shown.
2. Push the card into the socket correctly. Be sure the card is in the right position.



Additional Instructions:

Ensure the card's gold contacts are facing the corresponding contacts in the socket.

Do not force the card into the slot. If it does not fit, check the orientation, and try again.

Replace the battery cover once the card is securely in place.

Printing Instructions:

This device supports 80mm thermal paper with specifications of $80\pm 0.5\text{mm} * 80\text{mm}$.

1. Please open the paper container lightly.
2. Feed the paper correctly into the paper container in the direction as shown and pull some paper outside the cutter.
3. Close the cover of the paper container to finish loading the paper.

Note: If the printed paper is blank, please check whether the paper roll has been installed in the correct direction.

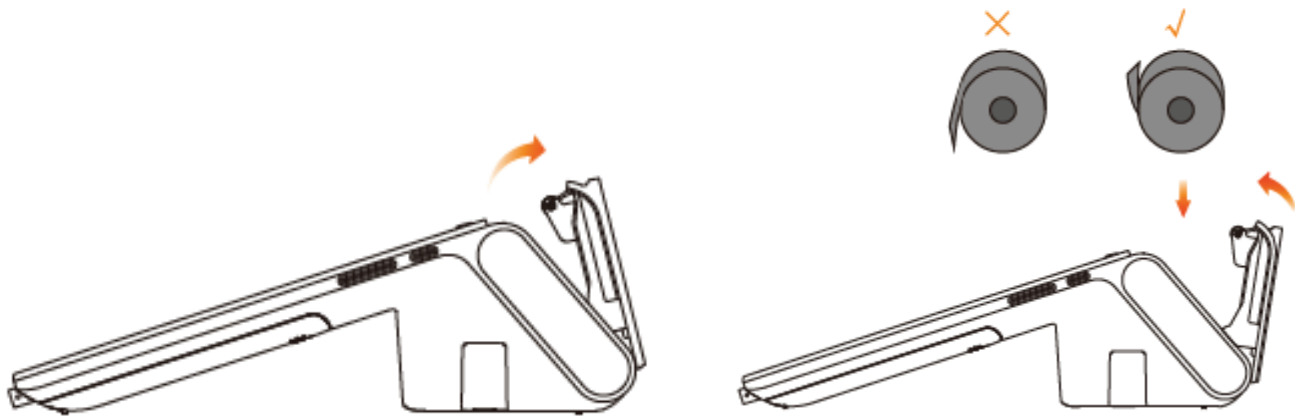


Illustration Guide:

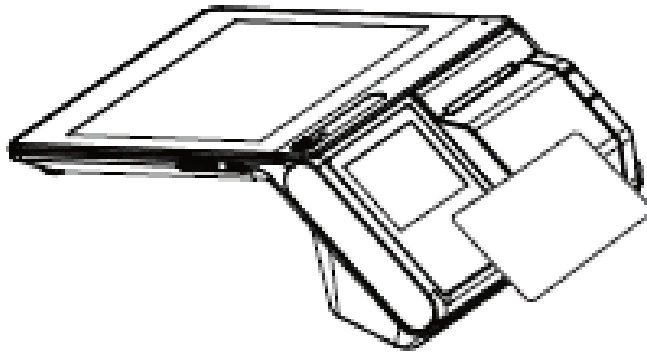
Ensure the paper roll is positioned correctly with the paper feeding from the bottom of the roll.

Follow the direction of the arrows in the illustrations to load the paper properly.

Product Operations Guide:

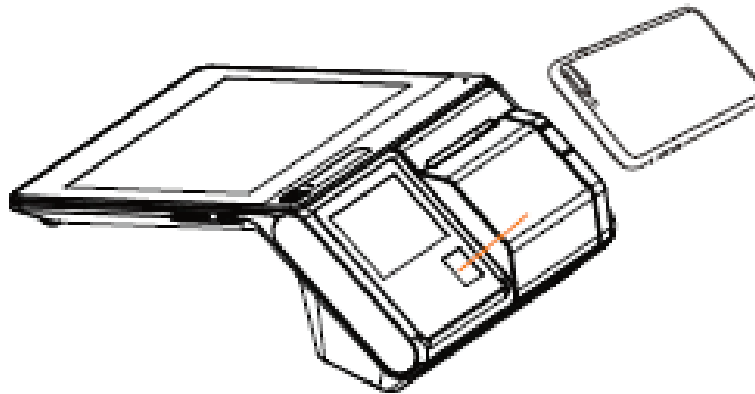
Card Reading

1. NFC Tag, put the NFC tag over the printer case of the device as shown below.



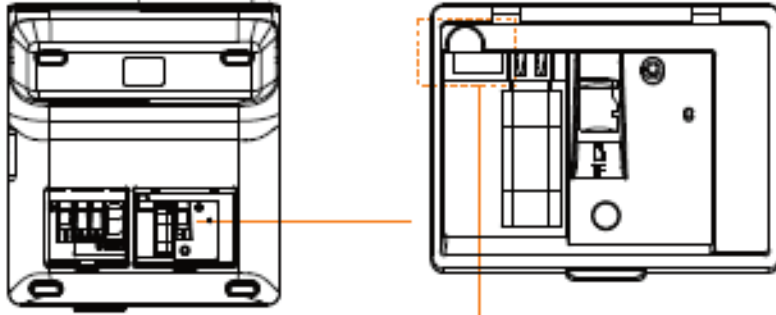
Scan 1D / 2D Code

1. Place the electronic 1D/2D code, as you would with your cellphone, down towards the camera vertical as shown below. Be sure that the 1D/2D code is facing the camera.

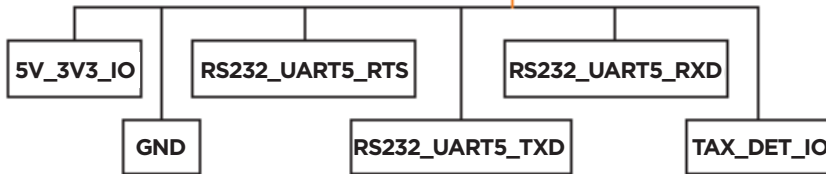


Fiscal Memory Room / Interface Specification

1. Remove the screws from the bottom shell and the bottom lead seal screws.
2. Once the screws are removed, open the back cover to see the memory room.



Note: Fiscal Memory Room maximum size: 24mm x 37mm x 10.5mm.



Lead Seal Screw Positions

Illustration: The image shows the location of the lead seal screw, which should be removed to access the fiscal memory room.

Removing Screws:

Remove the screws from the bottom shell.

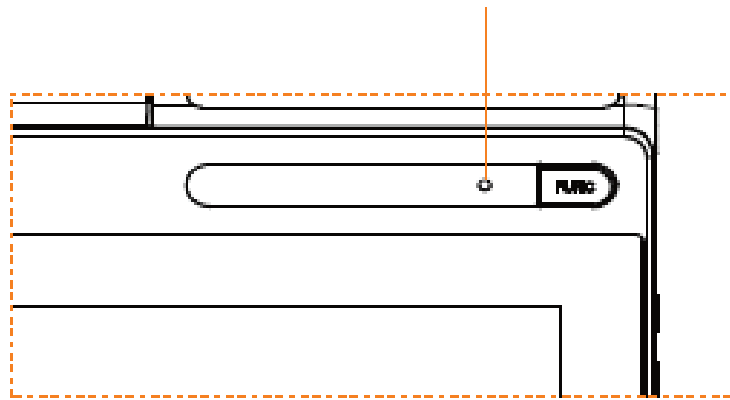
Remove the lead seal screws as indicated in the illustration.



Indicator and Status Logic

Long press the power key for about 3 seconds.

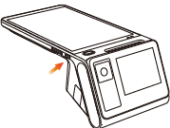



Network status indicator



NETWORK STATUS INDICATOR

NETWORK STATUS	INDICATOR LIGHT
Connection to Network Error	Red Light
Networking	Flashing Yellow Light
Networking Connection Successful	Steady Green Light
Data Transfers	Flashing Green Light

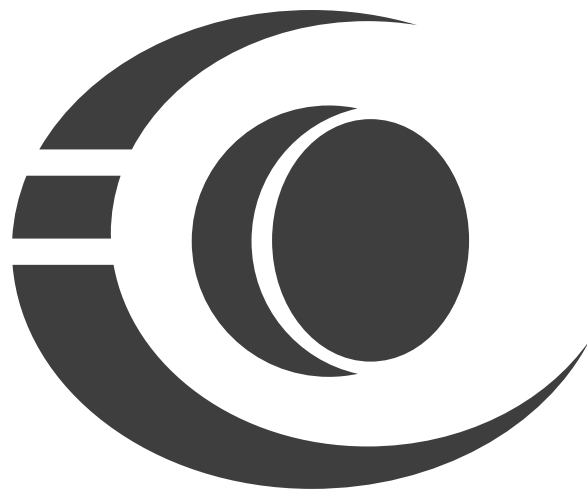
ACCESSORIES

ACCESSORIES	QTY
 Main Device	1
 Power Adapter	1
 Printer Paper	1
 User Guide	1

- Any Changes or modifications not expressly approved by the party responsible for compliance could void the user's authority to operate the equipment.
- This device complies with part 15 of the FCC Rules. Operation is subject to the following two conditions: (1) This device may not cause harmful interference, and (2) this device must accept any interference received, including interference that may cause undesired operation.

Note: This equipment has been tested and found to comply with the limits for a Class B digital device, pursuant to part 15 of the FCC Rules. These limits are designed to provide reasonable protection against harmful interference in a residential installation. This equipment generates, uses and can radiate radio frequency energy and, if not installed and used in accordance with the instructions, may cause harmful interference to radio communications. However, there is no guarantee that interference will not occur in a particular installation. If this equipment does cause harmful interference to radio or television reception, which can be determined by turning the equipment off and on, the user is encouraged to try to correct the interference by one or more of the following measures:

- Reorient or relocate the receiving antenna.
- Increase the separation between the equipment and receiver.
- Connect the equipment into an outlet on a circuit different from that to which the receiver is connected.
- Consult the dealer or an experienced radio/TV technician for help.
- This equipment complies with FCC radiation exposure limits set forth for an uncontrolled environment. This equipment should be installed and operated with minimum distance 20cm between the radiator & your body.



www.3nstar.com

  | 3nstar