

USER'S MANUAL

# MICRO KIOSK K10-J6412

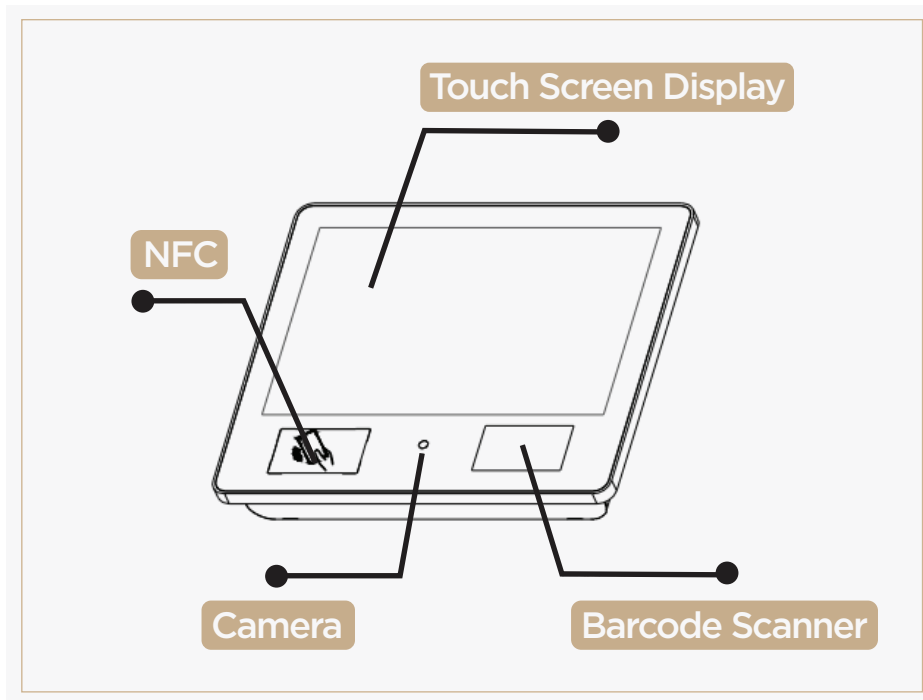
10" Windows | Linux



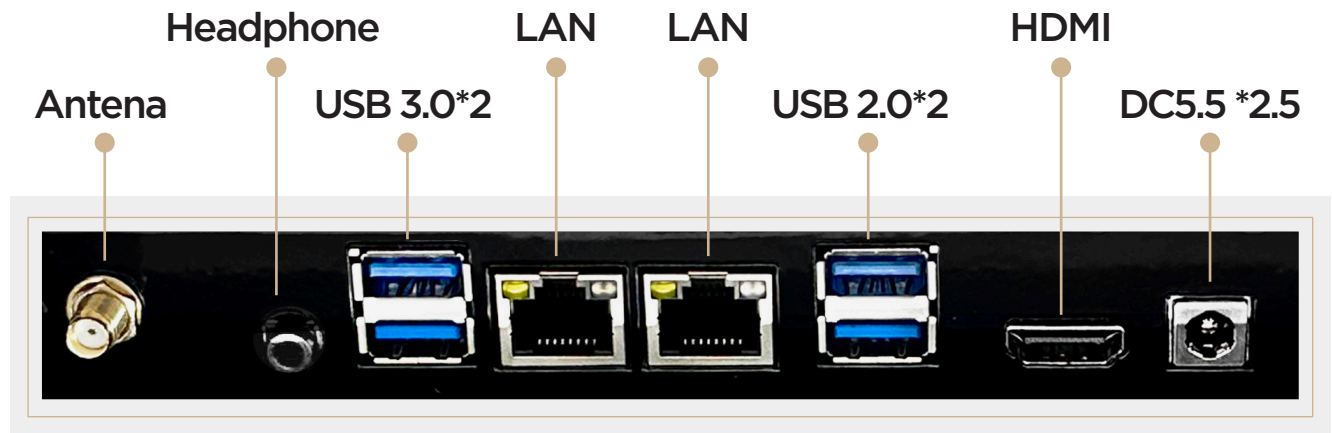
# TABLE OF CONTENTS

01	Kiosk Components	3
02	I/O Ports	3
03	Kiosk Dimensions	4
04	Power ON/OFF	4
05	Power Supply	5
06	Power Over Ethernet	5
07	2D scanner quick setting command	6
08	Overview of non-contact IC card reader	7
09	Equipment and card operation instructions	7
10	K10 Technical Specifications	7

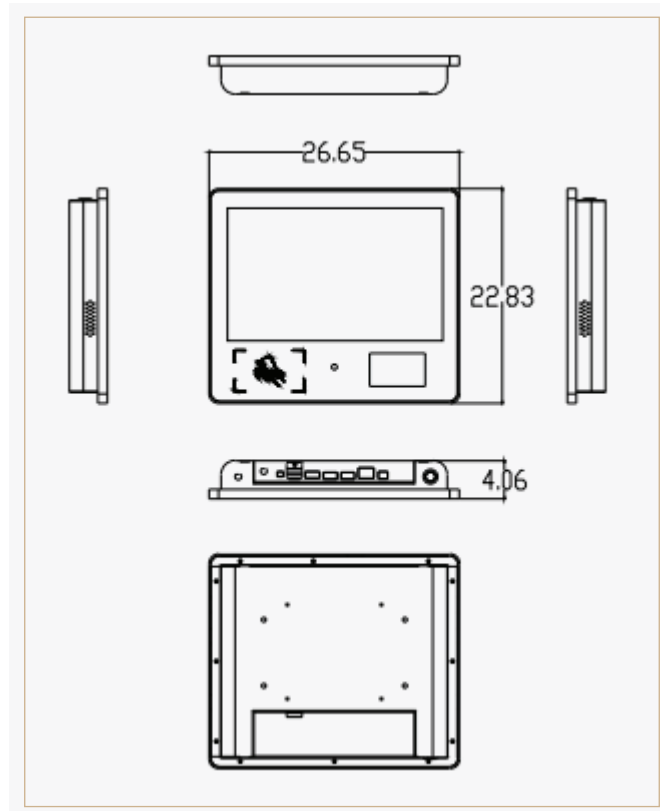
# 01| Kiosk Components



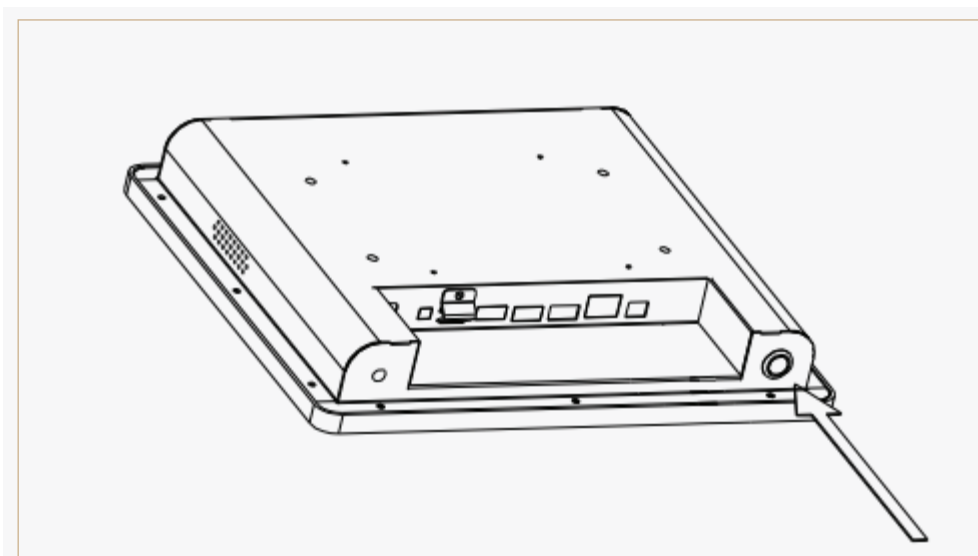
# 02| I/O Ports



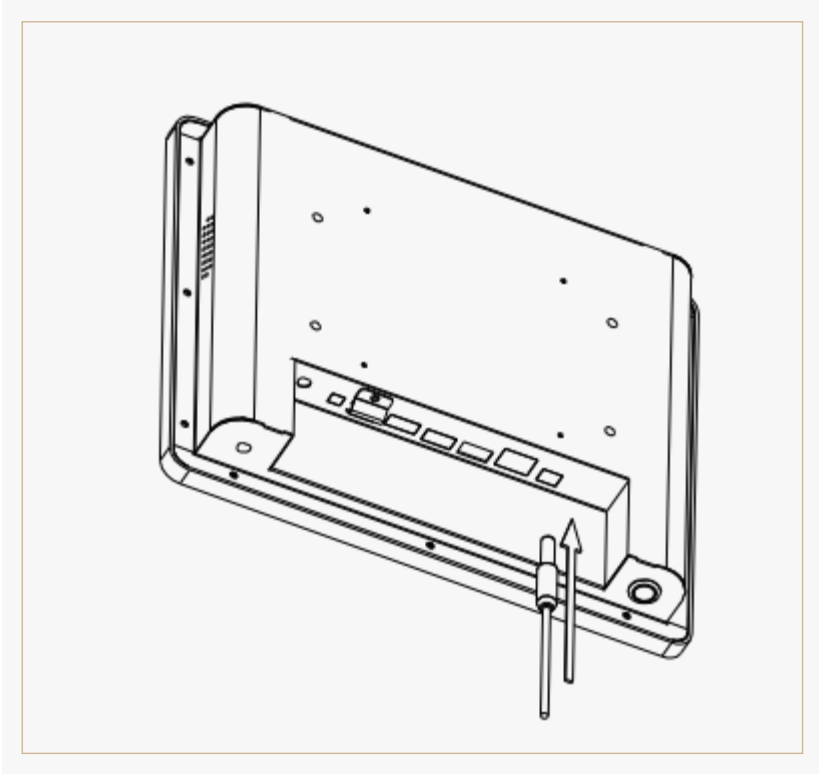
### 03| Kiosk Dimensions



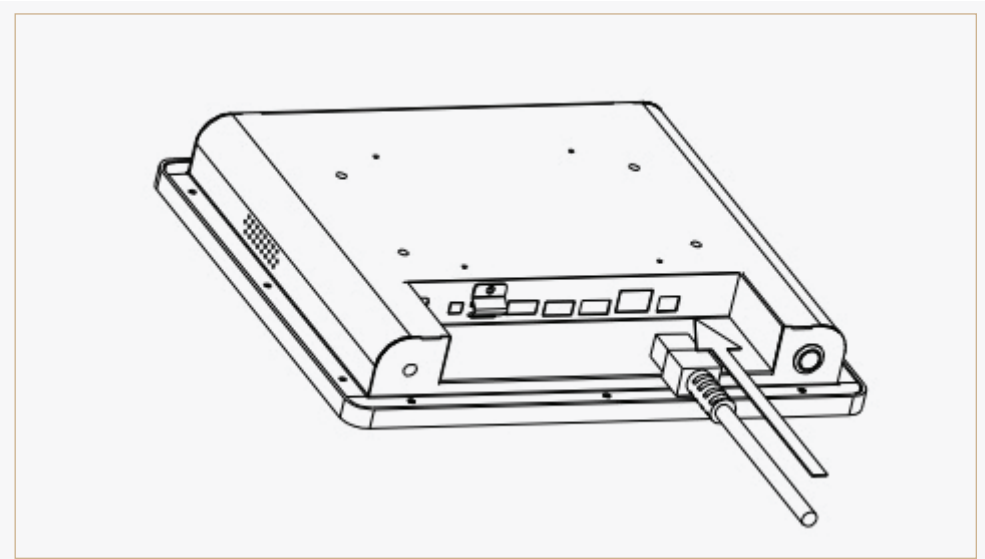
### 04| Power ON/OFF



# 05| Power Supply



# 06| Power Over Ethernet



## 07| 2D scanner quick setting command

Operation process, "Start setting" + "Function QR code" (such as continuous recognition mode) + "Finish setting" to complete the operation

 START SETTING			 FINISH SETTING
 CONTINUOUS READING	 LIGHT OFF	 NO SUFFIX	 SUFFIX AS CR+LF
 INDUCTION RECOGNITION MODE	 LIGHT UP WHEN SCANNING	 SUFFIX AS CR	 SUFFIX AS CR+CR
	 LIGHT CONTINUOUS ON	 SUFFIX AS TAB	 SUFFIX AS CR+LF+CR+LF

## 08| Overview of non-contact IC card reader

- Support protocol: ISO14443A
- Support card: Mifare (1K/4K) ; NXP S50, NXP S70, Fudan Micro F08, CPU card
- Data output type: USB/RS232/RS485
- When using RS232, RS485 for communication, the baud rate is 9600, 1 start bit, 8 data bits, and 1 end bit.

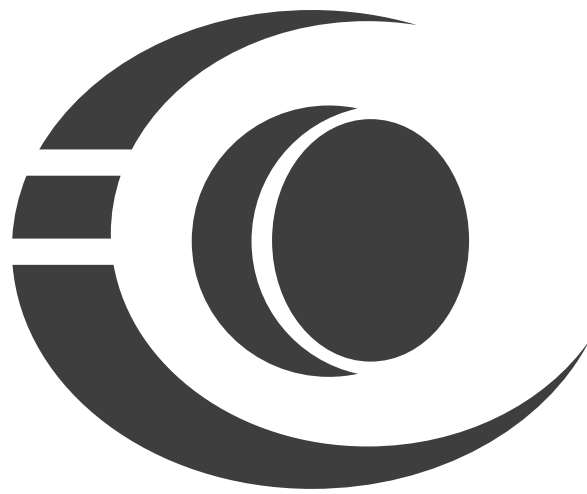
## 09| Equipment and card operation instructions

	STX	LEN	DATA			CHK
			DEVICE	CMD	DATA	
Find card	AA BB	06 00	00 00	01 02	52(26)	CHK
Anti-conflict	AA BB	06 00	00 00	02 02	04	CHK
Pick card	AA BB	09 00	00 00	03 02	4-byte card number	CHK
Authentication password	AA BB	0D 00	00 00	07 02	Password Type + Sector name + 6-byte password	CHK
Read the card	AA BB	06 00	00 00	08 02	Sector name	CHK
Write the card	AA BB	16 00	00 00	09 02	Sector name+16 bytes of data	CHK
Reading mode	AA BB	06 00	00 00	01 06	01 (Read and write card module)	CHK
Only read mode 1	AA BB	06 00	00 00	01 06	02 (10-byte decimal forward)	5
Only read mode 2	AA BB	06 00	00 00	01 06	03 (4-byte hexadecimal reverse)	4
Only read mode 3	AA BB	06 00	00 00	01 06	04 (10-byte decimal reverse)	3
Only read mode 4	AA BB	06 00	00 00	01 06	05 (7-byte hexadecimal reverse)	2
Only read mode 5	AA BB	06 00	00 00	01 06	06 (Wiegand code output)	1
Only read mode 9	AA BB	06 00	00 00	01 06	09 (4-byte hexadecimal forward)	0E

## 10| K10 Technical Specifications

<b>Physical</b>	
Construction	Aluminum alloy
Color	Black
Dimensions	266mm x 228mm x 40mm
Weight	2 Kg.
<b>Performance</b>	
CPU	Intel Celeron J6412 Quad Core 2.0GHz
Memory	4 GB DDR4 (Max 16GB)
Storage	120 GB (Max 1TB)
<b>Connectivity</b>	
Wi-Fi	802.11b/g/n
Ethernet	10/100/1000M RJ45
USB	2 USB 2.0, 2 USB 3.0
Video output	1 HDMI 2.0
Audio output	3.5mm earphone, Dual speaker stereo (5W)
<b>Compatibility</b>	
Supported Operating Systems	Windows and Linux
<b>Touch Panel</b>	
Touchscreen type	10 Points Capacitive
Transmittance	>95%
Touch times	>100,000,000
<b>Monitor</b>	
Type	10.1" TFT LCD, LED Backlight
Resolution	1280 * 800
Pixel	0.1692 (H) x 0.1692 (V)
Brightness (Typical)	300 cd/m <sup>2</sup>
Contrast Ratio	4000:1(Typical) 3000:1(Min)
Color Support	16.7M
Bandwidth	60Hz
Lifetime	>10,000 hours
<b>Input Devices</b>	
Barcode Scanner	1D/2D 5mil, USB
Scanner Decoding	<b>1D:</b> EAN13, EAN8,UPC-A,UPC-E0,UPC-E1,Code128, Code39,Code93,Codabar,Interleaved 2 of 5, Industrial 25, Matrix 2 of 5, Code11, MSI Plessey, RSS-14, Limited RSS, extend RSS <b>2D:</b> QR code,PDF417, DataMatrix (ECC200)
Front Camera	2MP
NFC Reader	Low frequency 125K, high frequency NFC, 14443A, 13.56
<b>Power Supply</b>	
Power Consumption	15W
Adapter Output	DC 12V, 5A
Adapter Input	AC 100-240V, 50-60HZ
<b>Environmental</b>	
Operating Temperature	0° to 50°
Operating Humidity	5% to 90%, non-condensing
Storage Temperature	-10°C to 60°C
Storage Humidity	10% to 90%, non-condensing
<b>Packaging</b>	
In the Box	Micro Kiosk, AC Adapter, AC Power
Carton Size	345mm x 125mm x 335mm
Gross Weight	2.12 Kg.





[www.3nstar.com](http://www.3nstar.com)

  | 3nstar