

SC504 BARCODE SCANNER

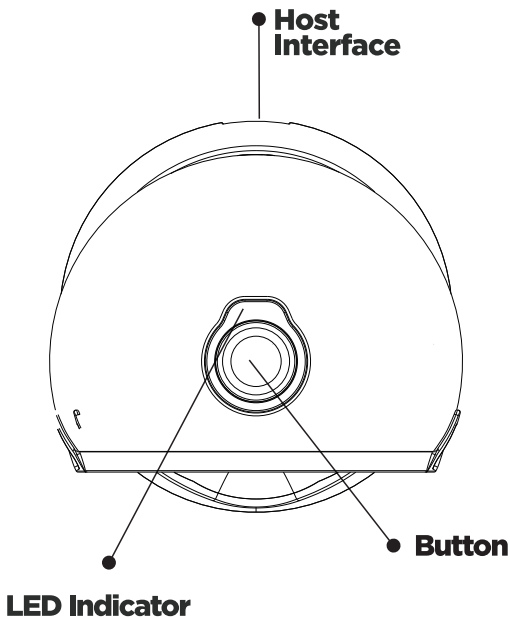
USER'S MANUAL



N°:1230330001 | v1.0

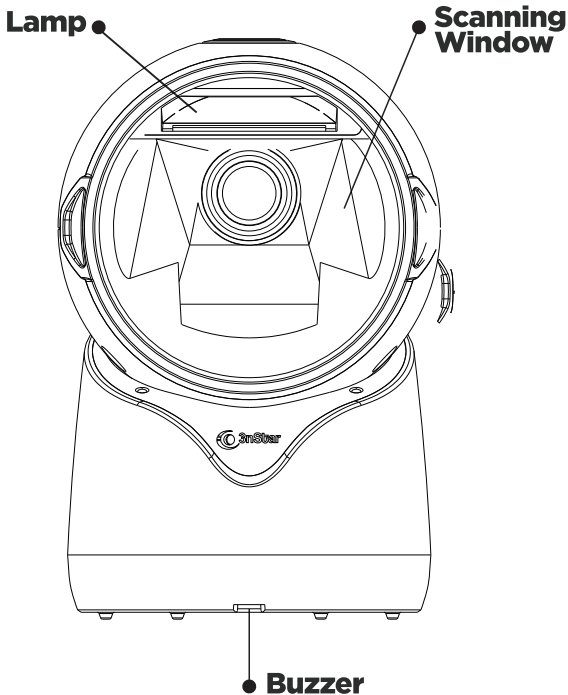
 3nStar

SCANNER OVERVIEW



Note: Product appearance depends on goods

SC504
BARCODE
SCANNER



Note: Product appearance depends on goods

SC504
BARCODE
SCANNER

LIGHT INDICATOR

LED Indicator

Blue light blinking

Green light On

Explanation

Decoding Successfully

Power on

BUZZER

Beep Indication

One Beep

Three Beep

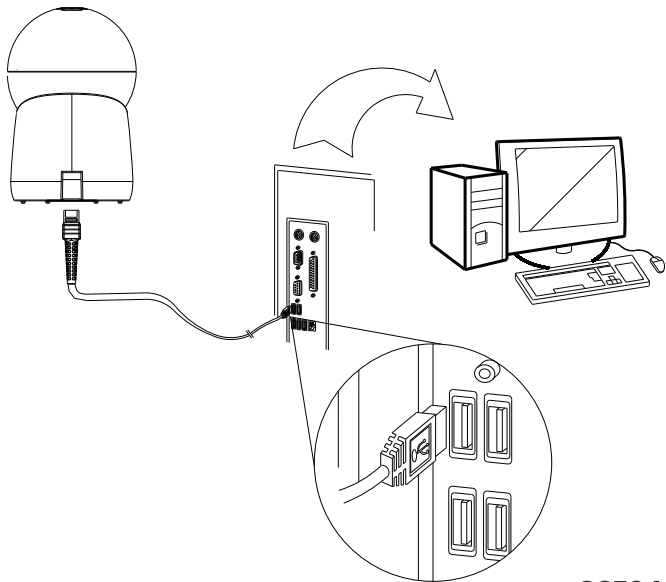
Explanation

Decoding Successfully

Power on

CONNECTION GUIDE

(1). USB cable

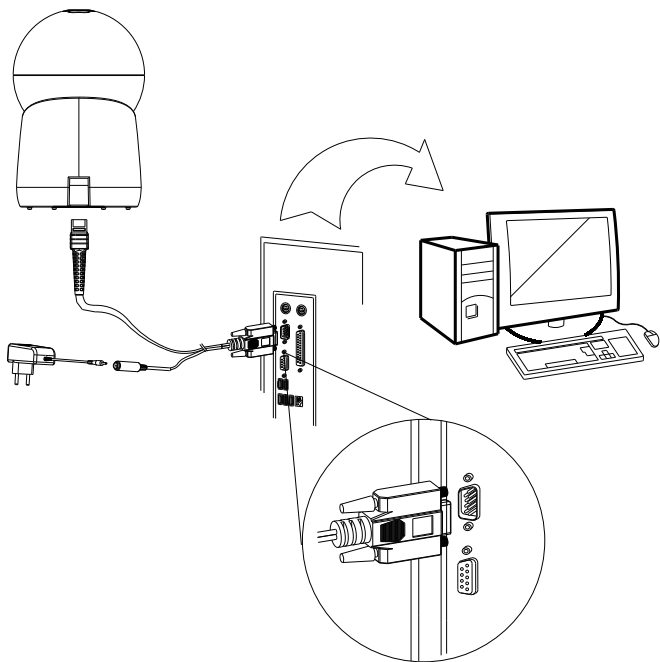


SC504
BARCODE
SCANNER

Installation | USB

- 1. Plug the RJ45 connector of the USB cable to the Host interface on the Omnidirectional barcode scanner**
- 2. Connect the other end of the USB cable to an available USB port of the Host**
- 3. Switch on the Host. If connect properly,**

(2). RS232 cable



SC504
BARCODE
SCANNER

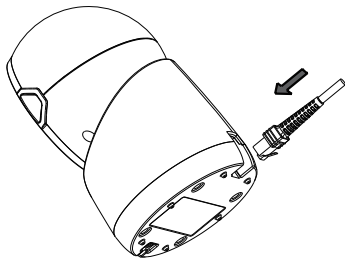
Installation | RS232

- 1.** Plug the RJ45 connector of the RS-232 cable to the Host interface on the Omnidirectional barcode scanner
- 2.** Connect the other end of the RS-232 cable to the serial port (DB9) on the device
- 3.** If the host does not have power supply (on DB9), connect thr external power supply (5VDC adapter) to the RS-232 cable
- 4.** Switch on the Host. If connect properly, the buzzer and the LED of the omnidirectional will indicate.

CABLE PLUG & UNPLUG

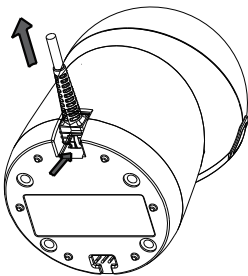
1

Plug as picture
above



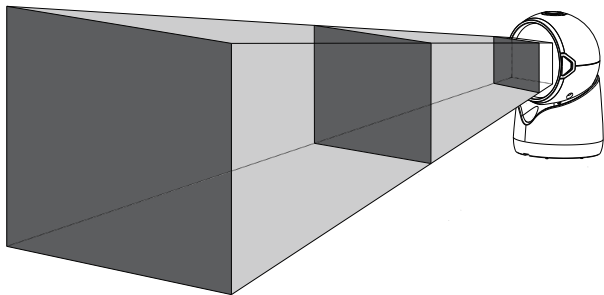
2

Press the buckle click,
then pull out the cable



SC504
BARCODE
SCANNER

METHODS



Scanning methods:

Make sure all connection line are securely connected

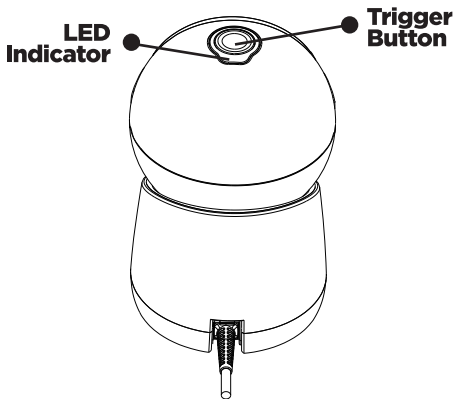
Move the bar code toward the scan window.

Display the bar code anywhere with in the effective area of the scanner.

After the decoding is successful, the scanner will sing once and the LED will flash once.

SC504
BARCODE
SCANNER

TRIGGER MODE



Press the trigger button once and switch to trigger mode temporarily.

When scanner is in trigger mode, pressing the trigger button makes the scanner work.

If you haven't used trigger mode for a while, the scanner will revert to auto mode.

SC504
BARCODE
SCANNER

PROBLEMS AND SOLUTIONS

PROBLEM	POSSIBLE SOLUTIONS
Don't work	Disconnect the power adapter and reconnect
Barcode is decoded, but not transmitted to the host.	Check the parameters (Waves) of the scanner and application
Unable to decode bar code	<p>Please refer to this book if the code reading method is wrong. Correct code reading in the manual.</p> <p>Whether the bar code is set to be readable</p> <p>Whether the bar code is damaged, if the bar code is damaged Worse than the scanner it self Reading ability, barcode will not be recognized to read.</p>

KEYBOARD LAYOUTS

Configuration method: Scan the function bar code directly



***US**



French



Italian



German



Spanish



Russia



Turkish-Q



Turkish-F

UPC Setting

Configuration method: Scan the function bar code directly



Enable UPC-E convert to UPC-A



***Disable UPC-E convert to UPC-A**



Enable UPC-A convert to EAN-13



***Disable UPC-A convert to EAN-13**

URL Code

Configuration method: Scan the function bar code directly



Enable URL QR code



*** Disable URL QR code**