

USER MANUAL

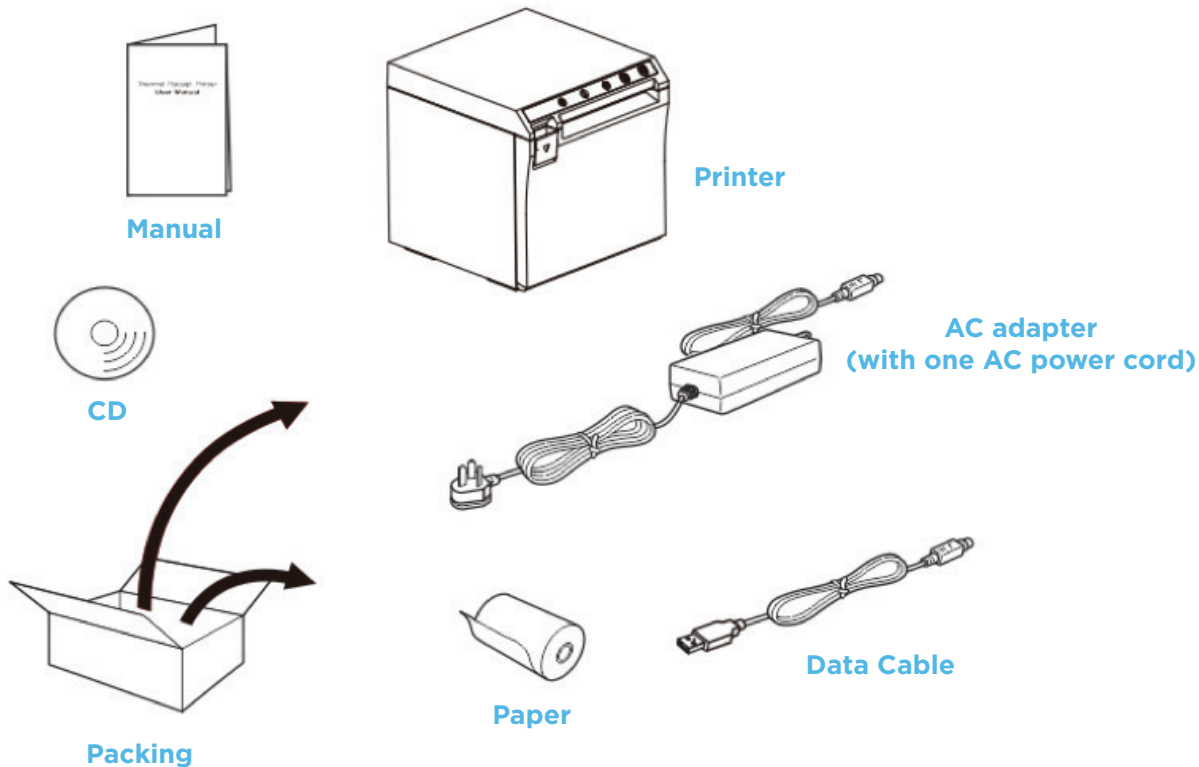


RPT015



WHAT IS IN THE BOX

- 80mm Thermal Receipt Printer
- AC adapter (with one AC cable power cord)
- Data Cable except for Ethernet port
- User's manual
- 80mm roll Paper
- Software Disc (optional)

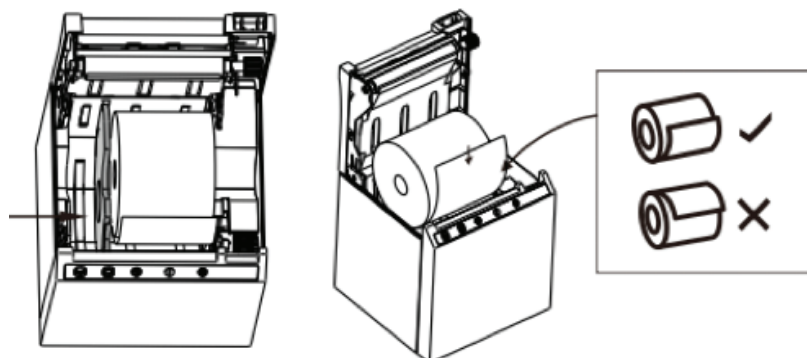


PAPER ROLL INSTALLATION

This printer can be use 58mm/80mm/82.5mm thermal receipt paper roll. Follow the steps below to install the roll paper:

- (1) Open the roll paper cover
- (2) Insert the roll paper as the following illustration shows.
- (3) Pull out a small roll of paper, and close the roll paper cover.

The baffle can be adjusted according to the width of the paper roll.



FUNCTION OVERVIEW

[1] SELF TEST INSTRUCTIONS: PART NAMES AND FUNCTION

(1) FEED button (⏮)

Press this button to feed paper. Keep pressing down to feed paper continuously.

(2) POWER button (⏻)

Press this button 1-2 seconds to turn off the printer.

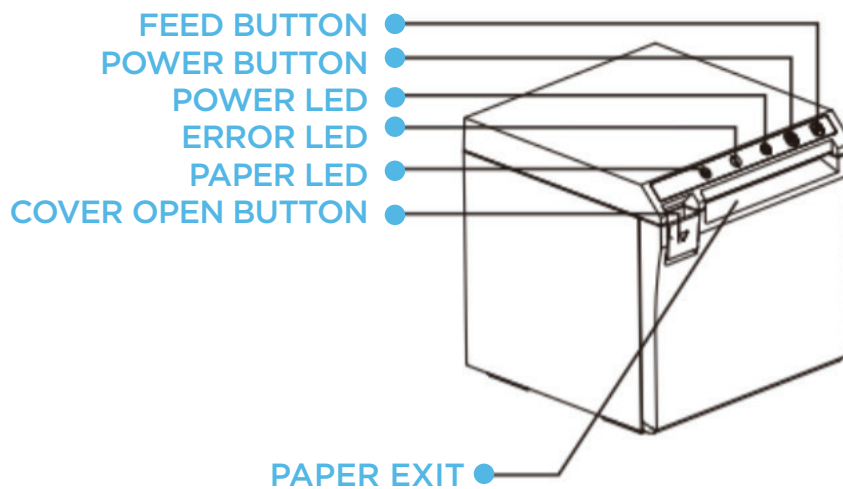
(3) Status LED (!)

(4) PAPER LED (📄)

SETTING PRINTING MODE (DIP SWITCHES)

DIP switches can be changed settings, such as: cutter, languages, beeperprint density baud rate etc.

DIP SWITCH FUNCTIONS



OPERATING CONDITION		LED
Closed roll paper cover with paper		No lights
Closed roll paper cover without paper		Paper LED flashing at $t=t_1+t_2$
Opened roll paper cover without paper		Error LED and Paper LED on
Opened roll paper cover with paper		Paper LED on and Error LED flashing at $t=t_1+t_2$
Cutter fails to operate		Error LED flashing at a faster speed
Thermal head overtemperature		Error LED flashing at a faster speed

(5) POWER LED (①)

Power LED on represents printer power on; Power LED off represents printer power off.

[2] SELF TEST INSTRUCTIONS:

Make sure the printer is connected with the power and turn it off. Keep Pressing down the FEED button and simultaneously turn on the power. Release FEED button when the ERROR and PAPER LED double-blinking in the same time. The printer will automatically print out self-test paper including its status and configurations.

[3] HOW TO ENTER HEXADECIMAL MODE

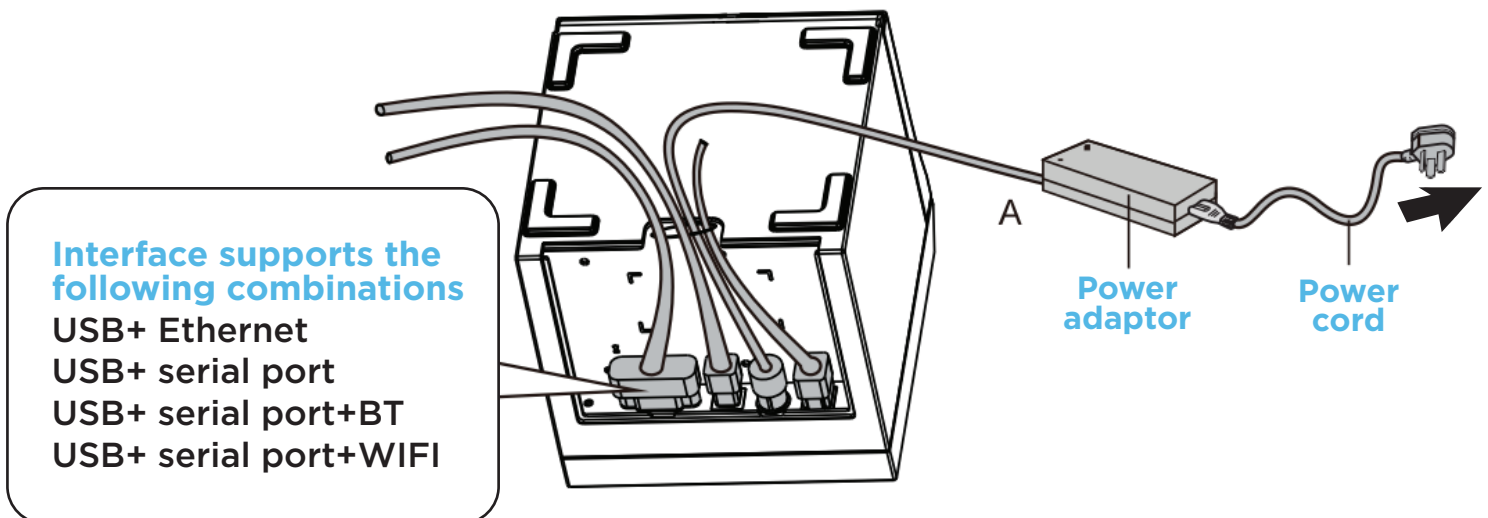
Make sure the printer is connected with the power. Press the FEED button and simultaneously turn on the power. Then wait for the ERROR and PAPER LED double-flashing at the same time, wait for the ERROR LED on and stop pressing the FEED button. Now the printer enters the hexadecimal mode. Press FEED button twice, and it will print automatically with "Hexadecimal Dump" on the first line of the paper showing its hexadecimal mode. Press FEED button three times will go back to normal mode.

[4] INITIALIZATION

Make sure the printer is connected with the power outlet. Press the FEED button and simultaneously turn on the power. After ERROR and PAPER LED double-blinking at the same time, wait for ERROR LED on until ERROR and PAPER LED double-flash again. Release the FEED button when buzzer alarming. At this time the printer has been initialized, restoring factory settings.

CONNECTING THE CABLES

- A. Connect the adaptor cable to the printer power interface.
- B. Connect the data cable to the printer port.
- C. Connect the cash draw to the printer.



CAUTIONS:

1. Be sure to install your printer on a stable surface and prevent it from vibration and impact
2. Do not use and store in locations subject to high temperature, humidity or pollution levels
3. Connect the power adapter into a properly grounded outlet. Do not share the same plug socket with large-scale electrical motor or other motors which may cause the power supply voltage fluctuations
4. Avoid water or other conducive materials like metal get into the intern of printer. If it happens, unplug the AC power cord immediately
5. Do not print without paper, or it will damage the rubber roller and thermal printhead
6. Unplug your printer before leaving it unused for an extended period
7. Never disassemble or modify the printer for repair or reconstruction
8. Be sure to use the original specified power source
9. Quality roll paper is recommended for premium printing and product maintenance
10. Be sure to turn the product off when plugging and unplugging
11. Place the plug socket around the product for convenience
12. This product is used only below 5000 meters above sea level in tropical climate conditions

CLEARANCE:

Timely clean the printhead if one of the below conditions occurred

1. Unclear printing
2. Unclear vertical column in printing paper
3. Noisy feeding

CLEANING STEPS ARE AS FOLLOWS:

1. Turn off the printer and open the roll paper cover. Remove the roll paper if any
2. After printing, the thermal head can be very hot. Wait to let it cool before cleaning
3. Clean the thermal elements of the thermal head with a wrung-out cotton moistened with an alcohol solvent
4. Wait till the ethanol completely volatilized to close cover. Then print self-test page.

NOTE:

1. Please make sure power off when maintaining printer
2. Don't touch or scratch printing head surface, roller and sensors.
3. Avoid gas, acetone or other organic solvent.
4. Wait till alcohol completely volatilized, close top cover and connect power again. Try print self test to make sure it works properly

ONE
BRAND
ONE
SOLUTION

