

10.1" Micro Kiosk USER MANUAL



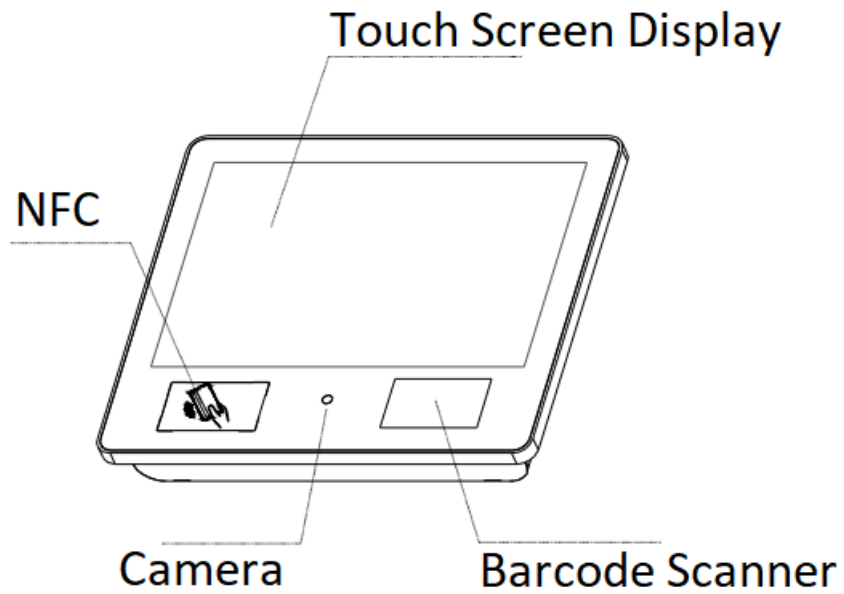
K10-A11



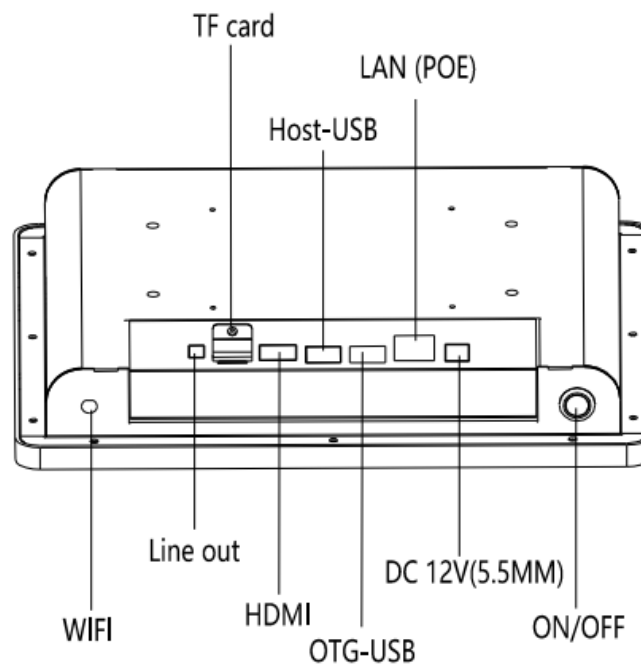
Table of Contents

1. Kiosk Components:	3
2. I/O Ports:	3
3. Kiosk Dimensions:	4
4. Power ON/OFF:.....	4
5. Power Supply:.....	5
6. Power Over Ethernet:	5
7. ADB Connection instructions.....	6
8. 2D scanner quick setting command.....	7
9. Overview of non-contact IC card reader:.....	8
10. Equipment and card operation instructions	8
11. K10 Technical Specifications:.....	9

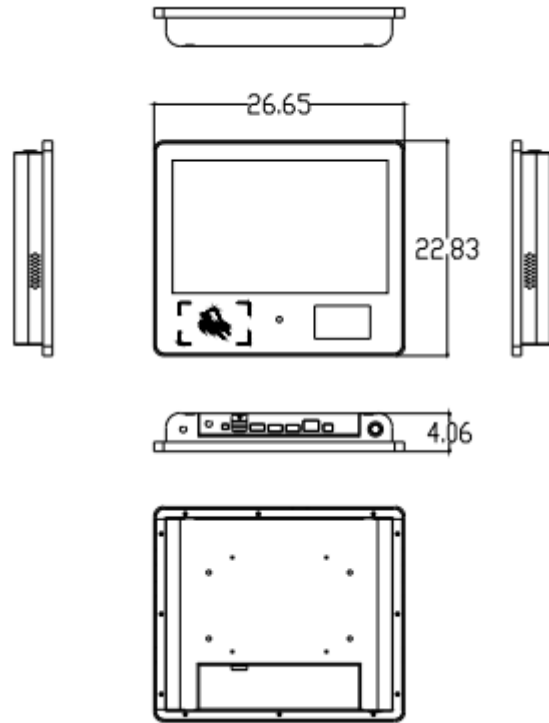
1. Kiosk Components:



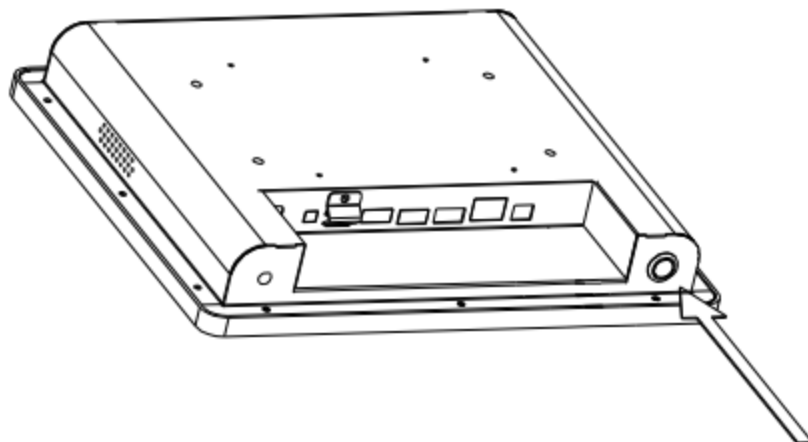
2. I/O Ports:



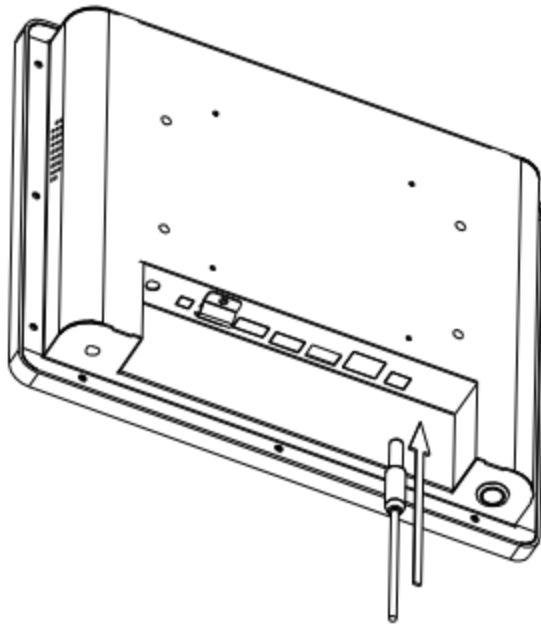
3. Kiosk Dimensions:



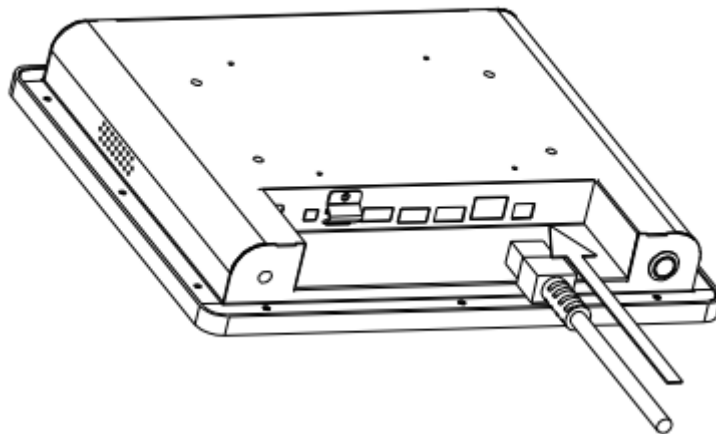
4. Power ON/OFF:



5. Power Supply:



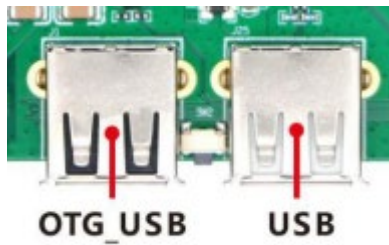
6. Power Over Ethernet:



7. ADB Connection instructions

Connect with USB cable

- a) After booting, enter "Settings---USB---Connect to PC" and tick the small box on the right
- b) Connect the USB cable to the OTG interface of the board and the USB interface of the computer to use ADB to debug



8. 2D scanner quick setting command

Operation process, "Start setting" + "Function QR code" (such as continuous recognition mode) + "Finish setting" to complete the operation

 Start setting			 Finish setting
 Continuous reading	 Light off	 No Suffix	 Suffix as CR+LF
 Induction recognition mode	 Light up when scanning	 Suffix as CR	 Suffix as CR+CR
	 Light continuous on	 Suffix as TAB	 Suffix as CR+LF+CR+LF

9. Overview of non-contact IC card reader:

- Support protocol: ISO14443A
- Support card: Mifare (1K/4K) ; NXP S50, NXP S70, Fudan Micro F08, CPU card
- Data output type: USB/RS232/RS485
- When using RS232, RS485 for communication, the baud rate is 9600, 1 start bit, 8 data bits, and 1 end bit.

10. Equipment and card operation instructions

	STX	LEN	DATA			CHK
			DEVICE	CMD	DATA	
Find card	AA BB	06 00	00 00	01 02	52(26)	CHK
Anti-conflict	AA BB	06 00	00 00	02 02	04	CHK
Pick card	AA BB	09 00	00 00	03 02	4-byte card number	CHK
Authentication password	AA BB	0D 00	00 00	07 02	Password Type + Sector name+6-byte password	CHK
Read the card	AA BB	06 00	00 00	08 02	Sector name	CHK
Write the card	AA BB	16 00	00 00	09 02	Sector name+16 bytes of data	CHK
Reading mode	AA BB	06 00	00 00	01 06	01(Read and write card module)	CHK
Only read mode 1	AA BB	06 00	00 00	01 06	02(10-byte decimal forward)	5
Only read mode 2	AA BB	06 00	00 00	01 06	03(4-byte hexadecimal reverse)	4
Only read mode 3	AA BB	06 00	00 00	01 06	04(10-byte decimal reverse)	3
Only read mode 4	AA BB	06 00	00 00	01 06	05(7-byte hexadecimal reverse)	2
Only read mode 5	AA BB	06 00	00 00	01 06	06(Wiegand code output)	1
Only read mode 9	AA BB	06 00	00 00	01 06	09(4-byte hexadecimal forward)	0E

11. K10 Technical Specifications:

Physical	
Construction	Metal back cover, aluminum alloy frame, tempered glass panel
Color	Black
Dimensions	266mm x 228mm x 40mm
Weight	2 Kg.
Performance	
CPU	Quad core ARM-A7, 1.3GHz
Memory	2 GB RAM
Storage	16 GB
Connectivity	
Wi-Fi	802.11b/g/n
Bluetooth	4.1
Ethernet	10/100M RJ45 with POE
USB	1 USB OTG, 1 HOST USB
Video output	1 HDMI
Audio output	3.5mm earphone
Operating system	
Version	Android 11
Touch Panel	
Touchscreen type	10 Points Capacitive
Transmittance	>95%
Touch times	>100,000,000
Monitor	
Type	10.1" TFT LCD, LED Backlight
Resolution	1280 * 800
Pixel	0.1692 (H) x 0.1692 (V)
Brightness (Typical)	300 cd/m2
Contrast Ratio	4000:1(Typical) 3000:1(Min)
Color Support	16.7M
Bandwidth	60Hz
Lifetime	>10,000 hours
Input Devices	
Barcode Scanner	1D/2D 5mil, USB
Front Camera	2MP
NFC Reader	Low frequency 125K, high frequency NFC, 14443A, 13.56
Power Supply	
Power Consumption	15W
Adapter Output	DC 12V, 5A
Adapter Input	AC 100-240V, 50-60HZ
Environmental	
Operating Temperature	0°C to 50°C
Operating Humidity	10% to 90%, non-condensing
Storage Temperature	-10°C to 60°C
Storage Humidity	10% to 90%, non-condensing
Packaging	
In the Box	Micro Kiosk, AC Adapter, Power Cable
Carton Size	345mm x 125mm x 335mm
Gross Weight	2.12Kg.

