

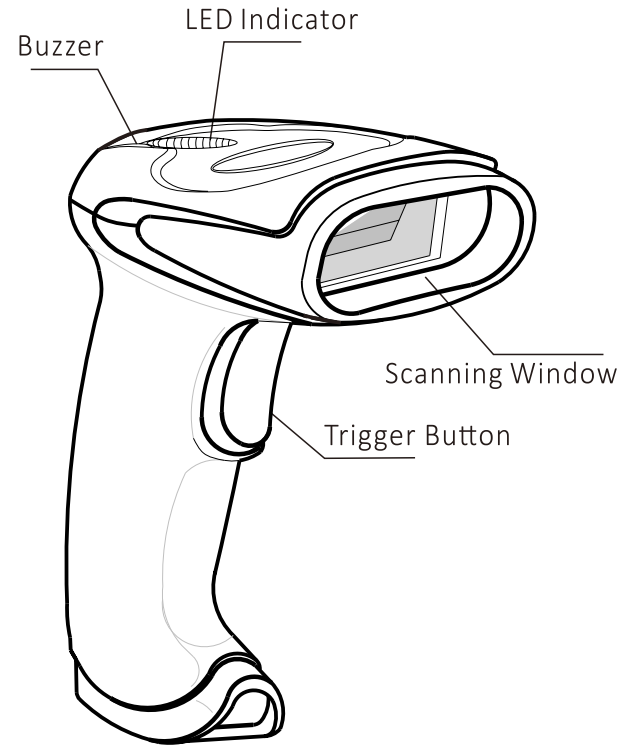
# SCI150 SCANNER 1D USER MANUAL



# SCI150



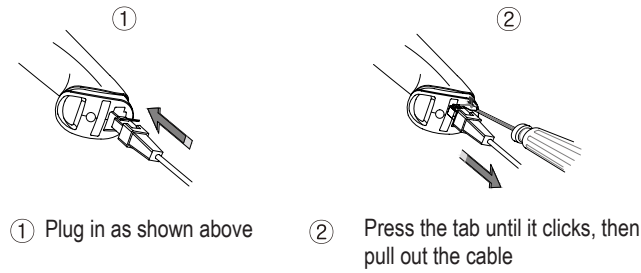
## Scanner Overview



### Barcode scanner

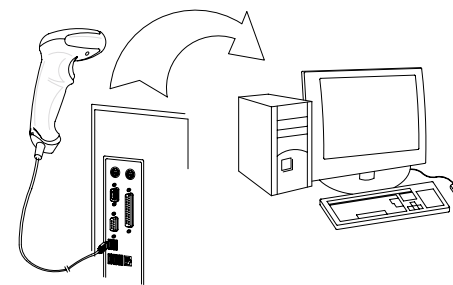
NOTE: Product appearance may vary

## Plug & Unplug Cable

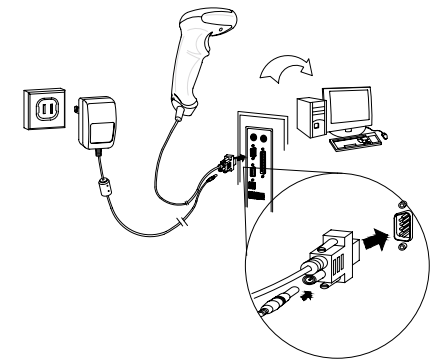


## Connection Guide

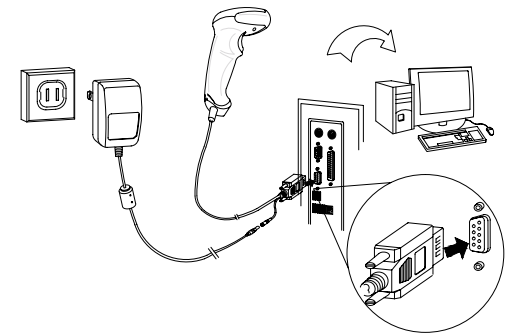
(1) USB cable



(2) RS232 cable



(3) RS485 cable



## 1D Barcode Scanner

### Quick Start Guide



Contents: Barcode Scanner, Quick Start Guide, USB/RS 232 Cable, Power Adapter (optional)

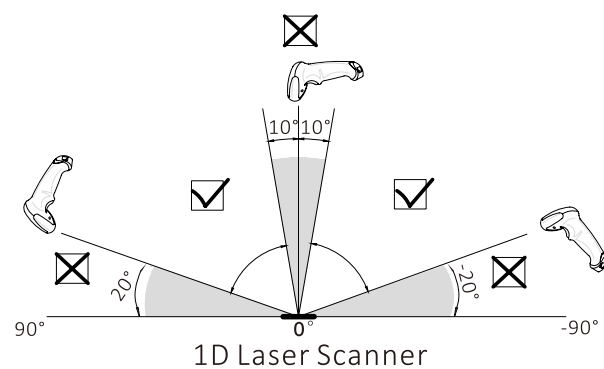
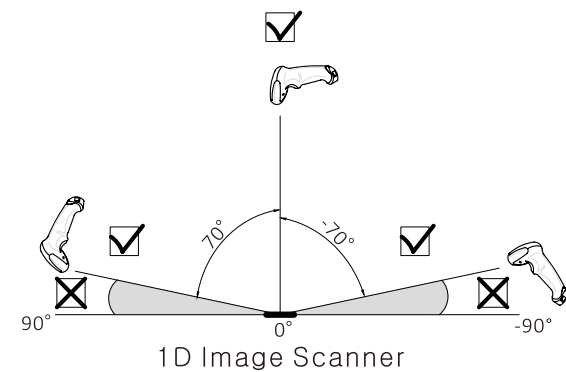
### Lights Indicator

LED indication	Explanation
Blue light blinking	Decoding Successfully
Red light ON	Standby status

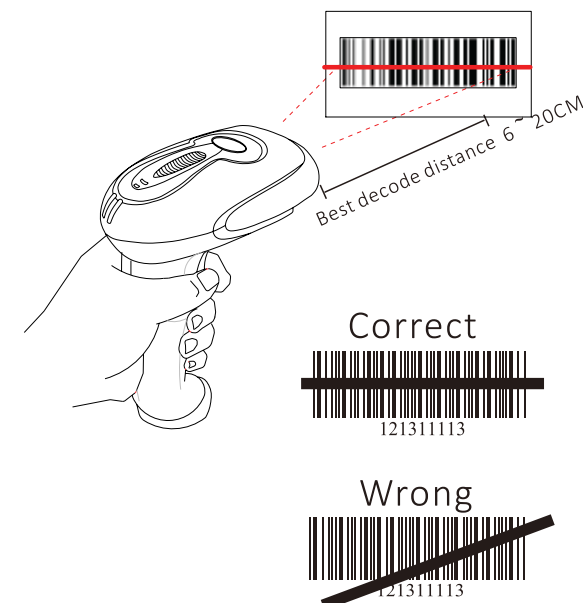
### Beeps

Beep indication	Explanation
One beep	Decoding Successfully
Three beeps	USB Data transfer failed
Four beeps	Power ON
Continuous beep	Successful parameter setting

## Scanning Angle



## Correct Scan Method



NOTE: Laser beam or Red LED light should fully cover the bar code

## Troubleshooting Q & A

Q1: USB bar code scanner gives a continuous beeping sound after scanner with no data uploaded.

A1: Unplug the plug to the scanner from USB port and plug it into a different USB port or reset the interface mode to "USB HUD Keyboard."

Q2: USB bar code scanner makes alarm buzzer sound and no data is uploaded.

A2: Restore factory default

Q3: No laser beam or LED light after connection via RS232

A3: Refer to Data Cable Connection guide in this manual and check power supply.

Q4: No data uploaded and alarm buzzer after scanning via RS232.

A4: Terminal should have software to transfer data when using RS232.

## Decode Settings - Set Up

1

Scan the bar code of "Enter setting"



Enter Setting



2

Scan the function bar codes



3

Scan the bar code of "Exit and Save"



Exit and Save

## Function Bar Codes

### Default Parameters

1、 Restore default parameter will not change interface Mode. Refer to interface mode selection for setting interface.

2、 With "\*" in bold means default parameter.



Restore Defaults

### Numeric Keypad

This functions is useful when using non-English OS and Keyboard layout.



Enable Numeric Keypad



\*Disable Numeric Keypad

## Interface Mode

According to your requirements to select the correct interface mode as below.



Serial Output



USB HID Keyboard



USB VCOM



USB&Serial Output Automatically

### Auto Trigger (optional)

When the scanner detects an object in its field of view, it will be trigger and attempt to decode without press the button



\*Disable auto trigger



Enable auto trigger

## Code39 Settings



Transmit ST/SP



\*Not Transmit ST/SP



\*Disable Full ASCII Code39



Enable Full ASCII Code39

## Suffix Values

Suffix can be appended to scan data for use in data editing.



None



\*0x0D ( CR )



0x0A ( LF )



0x0D 0x0A ( CR LF )



TAB

## Trigger Mode

**Single decode:** When a bar code has been decoded, the reader will be turned off. The reader must be triggered again to read another label.

**Continuous decode:** The reader will produce as much data as it can decode regardless whether it is the same or not. This mode is mainly used for demonstration and diagnosis.



\*Single Read



Continuous Read

## Decode Mode

**Disable repeat decode:** Disable continue to read the same bar code.

**Multiple read:** The same label can only be decoded again after the label has not been detected for a number of scans. (This mode can only be programmed in Continuous read trigger mode.)



Disable repeat decode



\*Enable repeat decode



Multiple decode

## Keyboard Language

Choose a keyboard layout according to your system language settings.



\*US



French



German



Turkish



French Belgian



Brazil



Czech



Spanish



Italian

## UPC Settings



Enable UPC-E convert to UPC-A



\*Disable UPC-E convert to UPC-A



Enable UPC-A convert to EAN-13



\*Disable UPC-A convert to EAN-13